



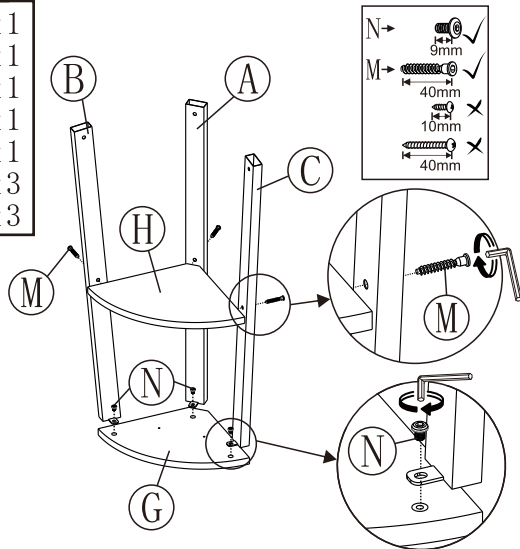
moustache®

MOFW-ZWJ5337160TL

NO.	Qty	Sketch
A	1	
B	1	
C	1	
D	1	
E	2	
F	1	
G	1	
H	1	
I	1	
J	1	
K	1	
L	4	
M	12	
N	5	
O	1	
P	1	
Q	1	
R	1	
S	2	
T	1	

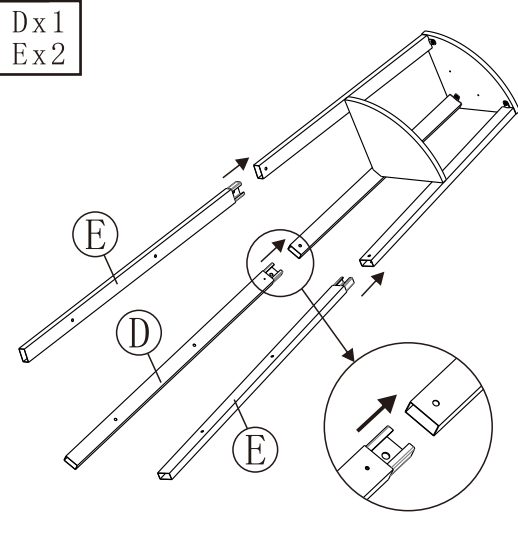
1

- A x 1
- B x 1
- C x 1
- G x 1
- H x 1
- M x 3
- N x 3



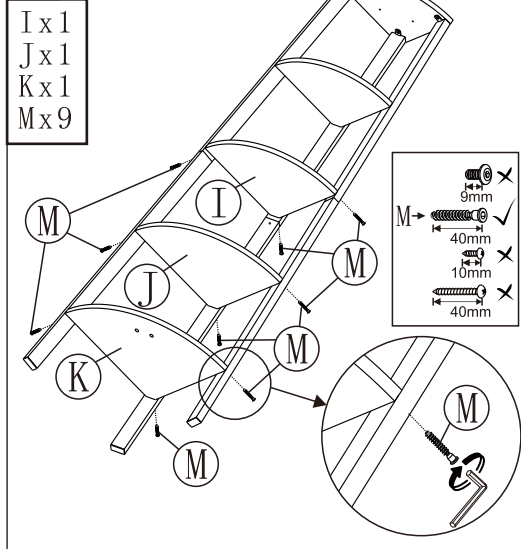
2

- D x 1
- Ex 2



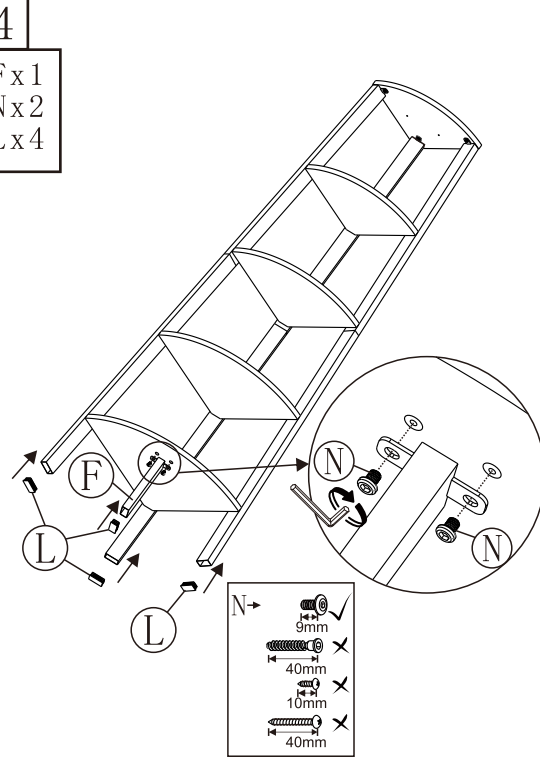
3

- I x 1
- J x 1
- K x 1
- M x 9



4

- F x 1
- N x 2
- L x 4



5

- O x 1
- P x 1
- Q x 1
- R x 1

